

GFC-260

输出功率: 约0.3~18W
OUTPUT: APPROX 0.3~18W

代表的用途/家用电器

- 电吹风
- 玩具

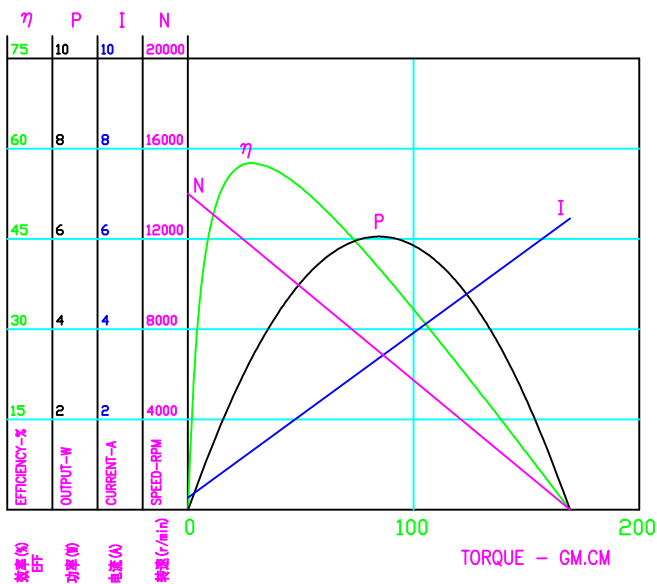
Typical Applications/Household Appliances

- Hair Dryer
- Toys

| 型号 Model | 电压 Voltage | | 无负载 No Load | | 最高效率时性能(%) At Maximum Efficiency | | | | 堵转 Stall | |
|-----------------|-------------------------|---------------|--------------------|------------------|----------------------------------|------------------|-------------------|-----------------|-------------------|------------------|
| | 使用电压 Operating Range | 常用 Nominal | 转速(r/min) Speed | 电流(A) Current | 转速(r/min) Speed | 电流(A) Current | 扭矩(gcm) Torque | 输出(W) Output | 扭矩(gcm) Torque | 电流(A) Current |
| GFC-260SA-2670 | 3~6 | 4.5V | 14000 | 0.27 | 11600 | 1.33 | 29 | 3.45 | 180 | 6.70 |
| GFC-260SA-10300 | 6~26 | 24V | 17300 | 0.070 | 14226 | 0.32 | 30.7 | 4.48 | 173 | 1.50 |

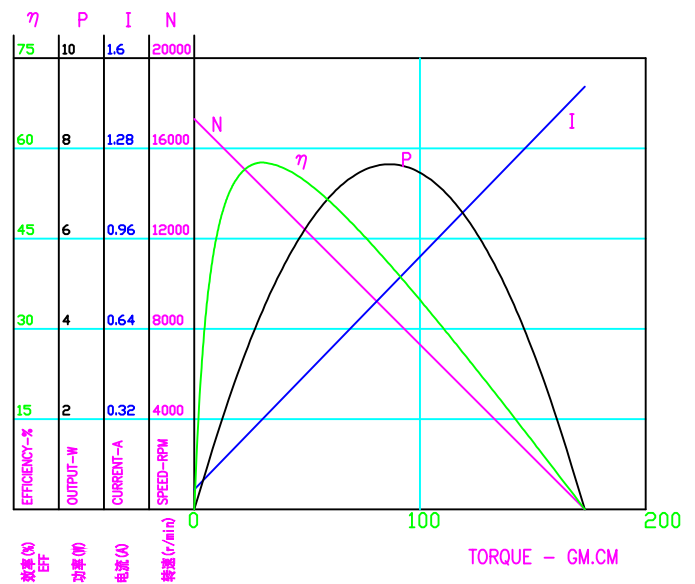
GFC-260SA-2670

4.5V

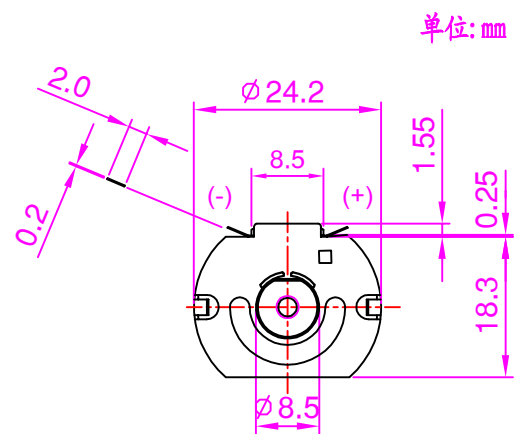
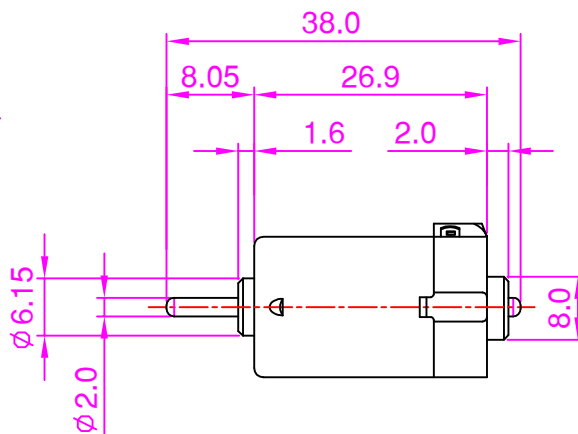
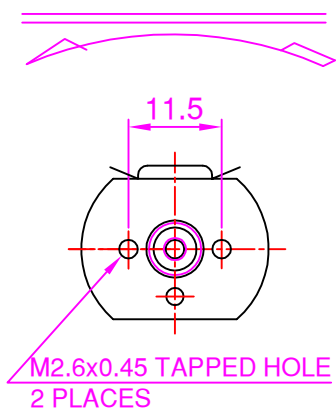


GFC-260SA-10300

24V



DIRECTION OF ROTATION



单位: mm

重量: 约28g
WEIGHT: 28g (APPROX)