

● 永磁直流无刷电机
Permanent Magnet Brushless DC Motor

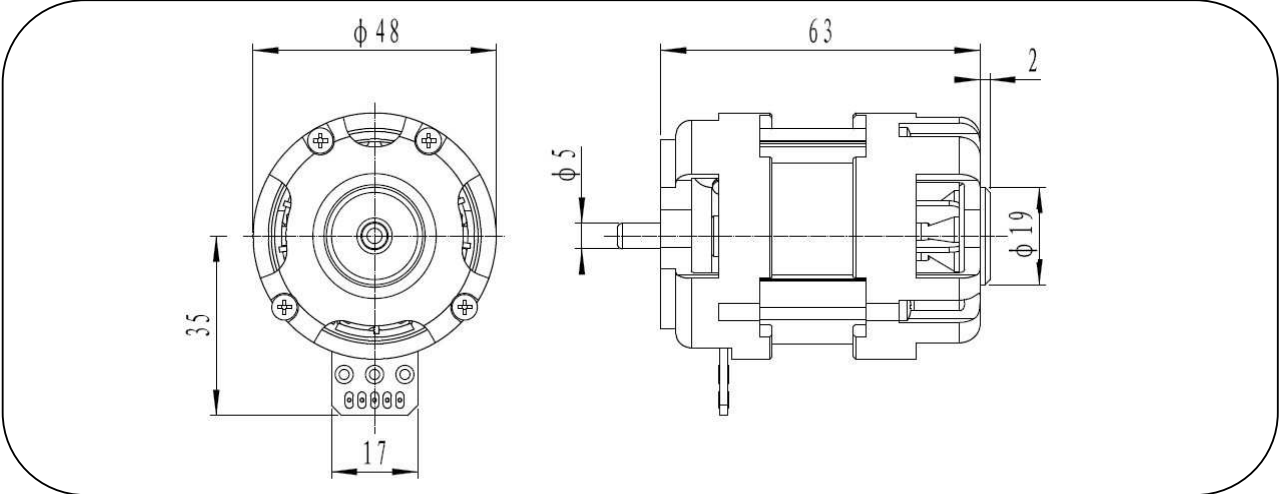
● 典型应用
TYPICAL APPLICATION

◆ B4221



Applications:
Power Tools
Impact Wrench

Impact Wrench



型号 (Model)	电压 (VDC)	电机空载 MOTOR NO-LOAD		电机最大效率时 MOTOR MAXIMUM EFFICIENCY				电机最大效率 (整机效率) (%)	电机最大出力 (W)
		电流 (A)	转速 (RPM)	电流 (A)	转速 (RPM)	扭矩 (N.m)	输出功率 (W)		
B4221	18	≤4	21000±10%	≤25	17000±10%	0.07	(300)	75	500

Rated voltage: 18V DC
 No load speed: 21000±10% rpm
 No load current: ≤ 4A
 Rated speed: 15000±10% rpm
 Rated power: 300W
 Rated current: ≤25A;
 Pole、Phase: 3Phase、4poles
 Life: >3000h.

